

J30J series micro rectangular electrical connectors

Number of cores: 9, 15, 21, 25, 31, 37, 51, 66, 74, 100

The contact spacing is 1.27mm, and the row spacing is 1.1mm

Crimp wires with a cross-sectional area of (

General specification of product execution: GJB2446A

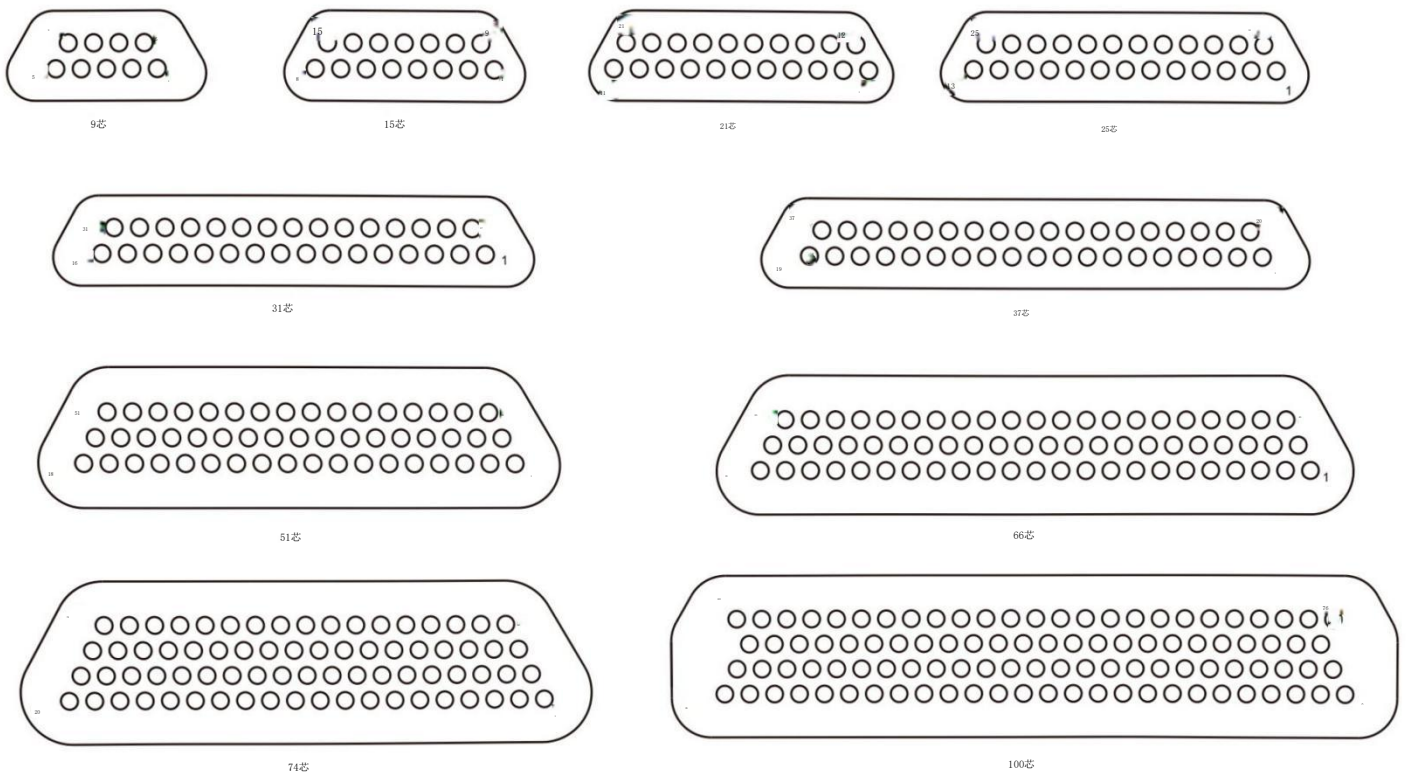
Technical parameters

Environmental conditions of use		Main technical parameters:	
Ambient temperature	-55℃~ +125℃	Operating current	3A max
relative humidity	+40℃ , 98%	Contact resistance	≤8mΩ
Low air pressure	4.4KPa, 150V	Insulation resistance	≥5000MΩ
Vibrate	10~2000Hz 196m/s ²	Pressure	600 V
Impact	490 m/s ²	Mechanical life	500次

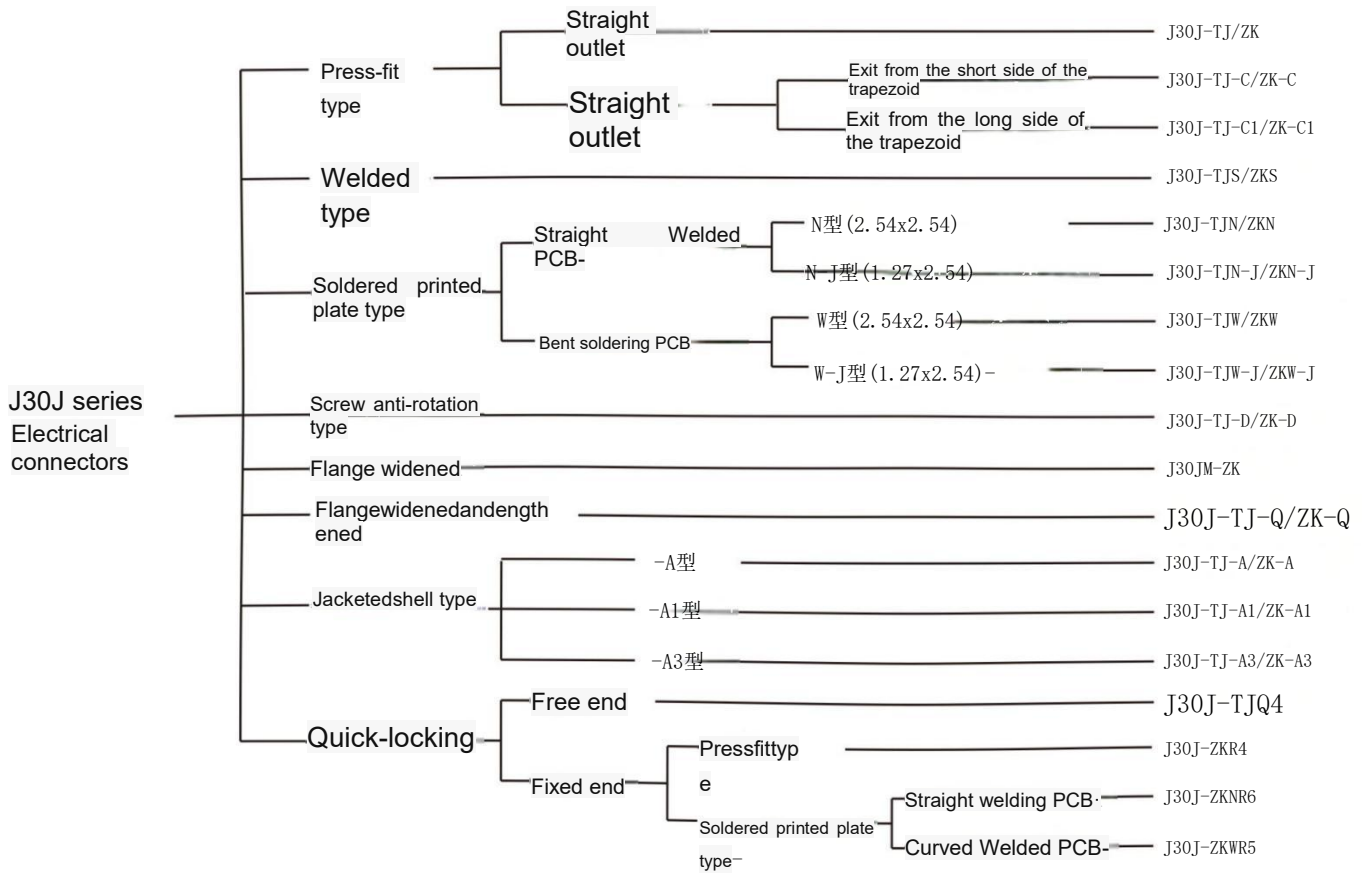
J30J series model composition

serial number	Classification characteristics	Classification contents	Classification contents
1	Primary code	Microrectangular connectors	J30J
2	Housing material	Aluminum alloy	Not labeled
		Copper alloys	J30JC
		stainless steel	J30JC1
3	Number of contacts	Number of contacts	Indicated by Arabic numerals
4	Contact type	Pin contacts	TJ
		Jack contacts	ZK
5	Termination form	Crimp (with wire)	Not labeled
		weld	S
		Straight welded PCB	N
		Bent soldering PCB	W
6	Install the accessories	Free end mounting accessory	L
		Mounting accessories at the fixed end	P
7	Clamping device	Wire guards	-A
8	Qualifying method	Straight	Not labeled
		Bent	-C

Pattern arrangement (from the pin connector to the plug face)



Product genealogy tree



Example of J30J model naming

Wireguards

Install the accessories

Jack contacts

Number of contacts

Microrectangular connectors

J30J crimp electrical connector

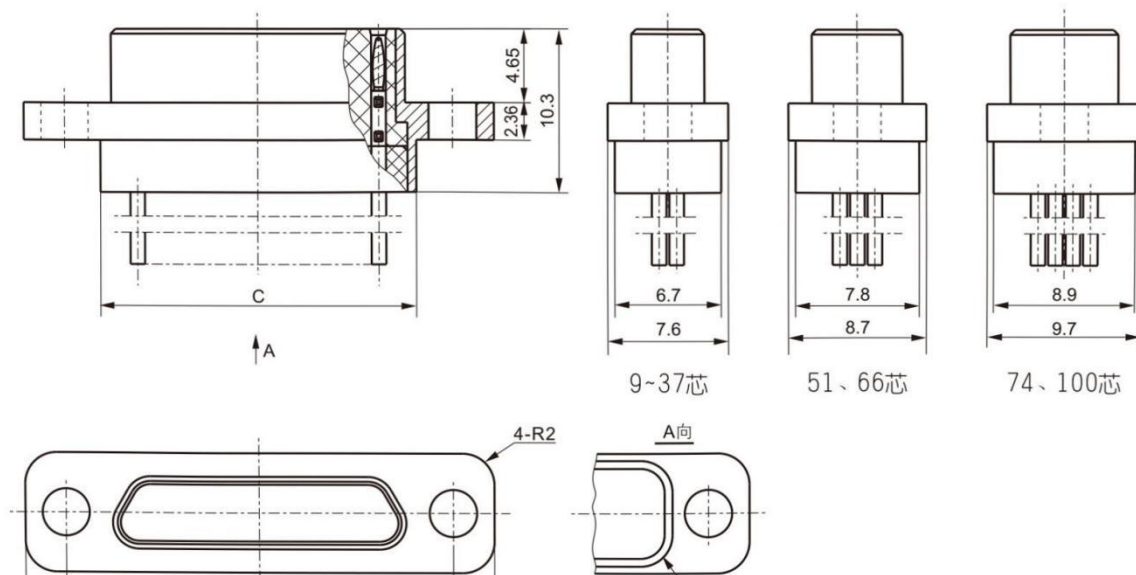
Detailed specification for product execution: Q/MB 20250-2003

J30J-9、15、21、25、31、37、51、66、74、100TJ

Product stereogram



Product Dimensions



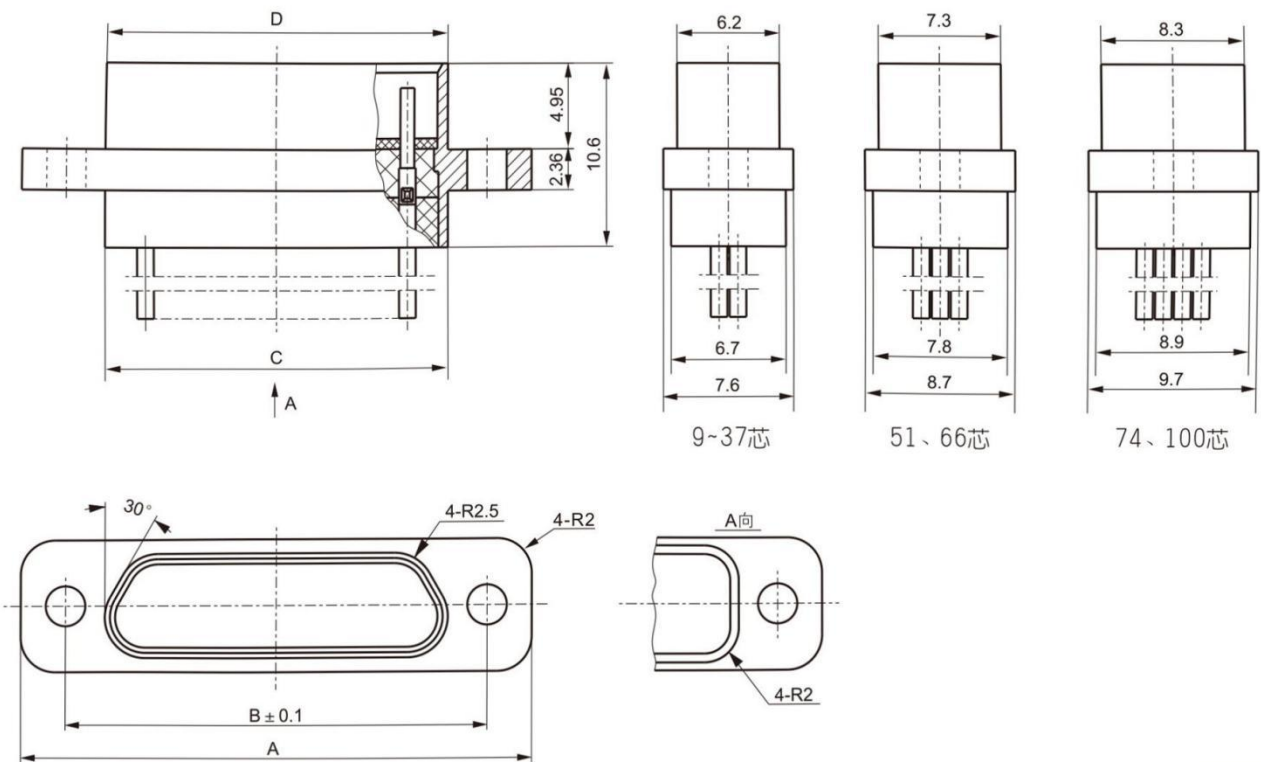
Product model	A	B	C
J30J-9TJ	19.55	14.35	9.9
J30J-15TJ	23.36	18.16	13.61
J30J-21TJ	27.17	21.97	17.6
J30J-25TJ	29.71	24.51	19.96
J30J-31TJ	33.52	28.32	23.77
J30J-37TJ	37.33	32.13	27.68
J30J-51TJ	36.06	30.86	26.31
J30J-66TJ	42.5	37.3	32.74
J30J-74TJ	38.8	33.5	28.9
J30J-100TJ	54.72	45.72	36.35

J30J-9、15、21、25、31、37、51、66、74、100ZK

Product stereogram

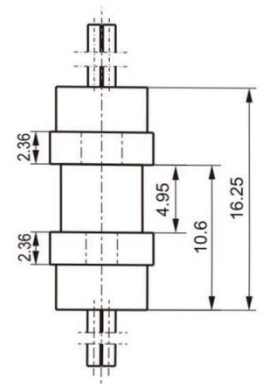
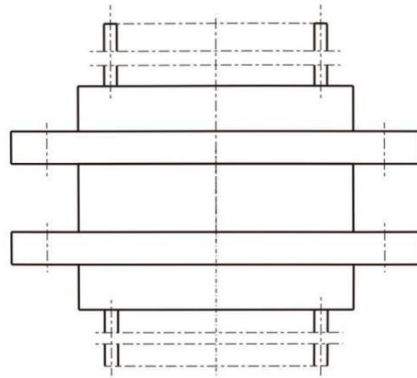
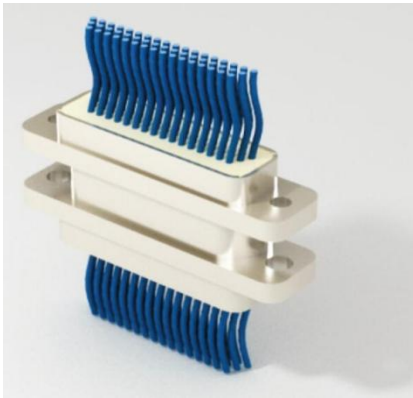


Product Dimensions



Product model	A	B	C	D
J30J-9ZK	19.55	14.35	9.9	9.93
J30J-15ZK	23.36	18.16	13.61	13.74
J30J-21ZK	27.17	21.97	17.6	17.55
J30J-25ZK	29.71	24.51	19.96	20.09
J30J-31ZK	33.52	28.32	23.77	23.95
J30J-37ZK	37.33	32.13	27.68	27.76
J30J-51ZK	36.06	30.86	26.31	26.48
J30J-66ZK	42.5	37.3	32.74	32.85
J30J-74ZK	38.8	33.5	28.9	29.00
J30J-100ZK	54.72	45.72	36.35	36.62

Dimensions of the product after docking



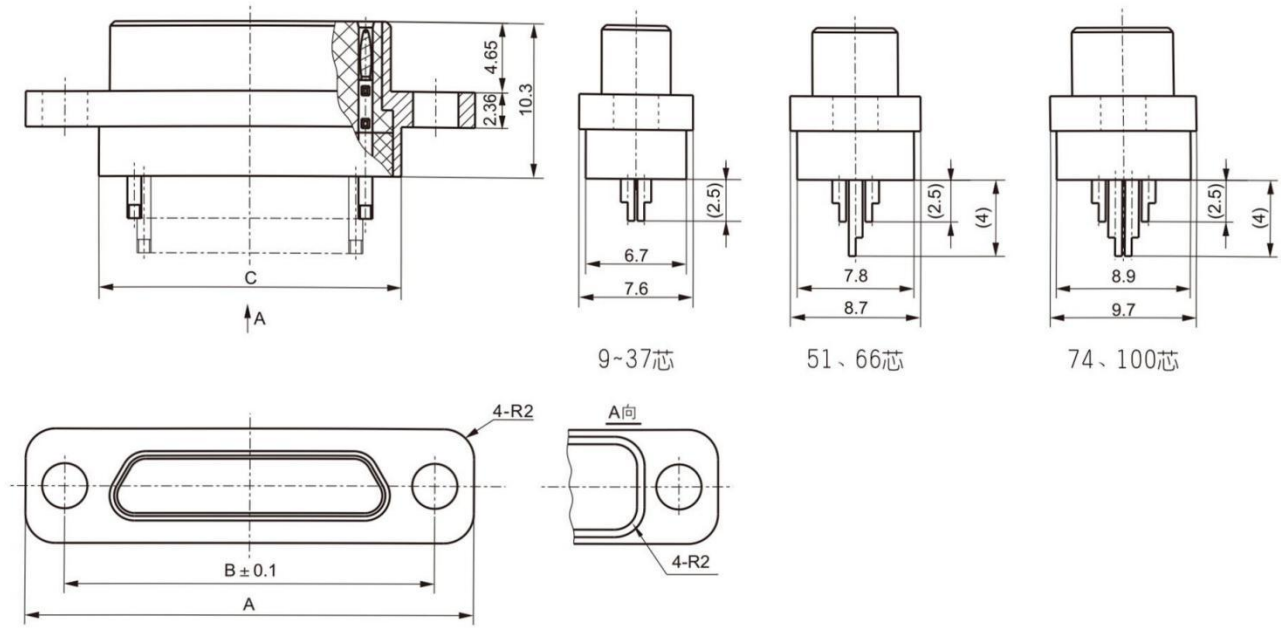
J30J solder electrical connector

Detailed specification for product execution: Q/MB 20250-2003

J30J-9、15、21、25、31、37、51、66、74、100TJS

Product stereogram

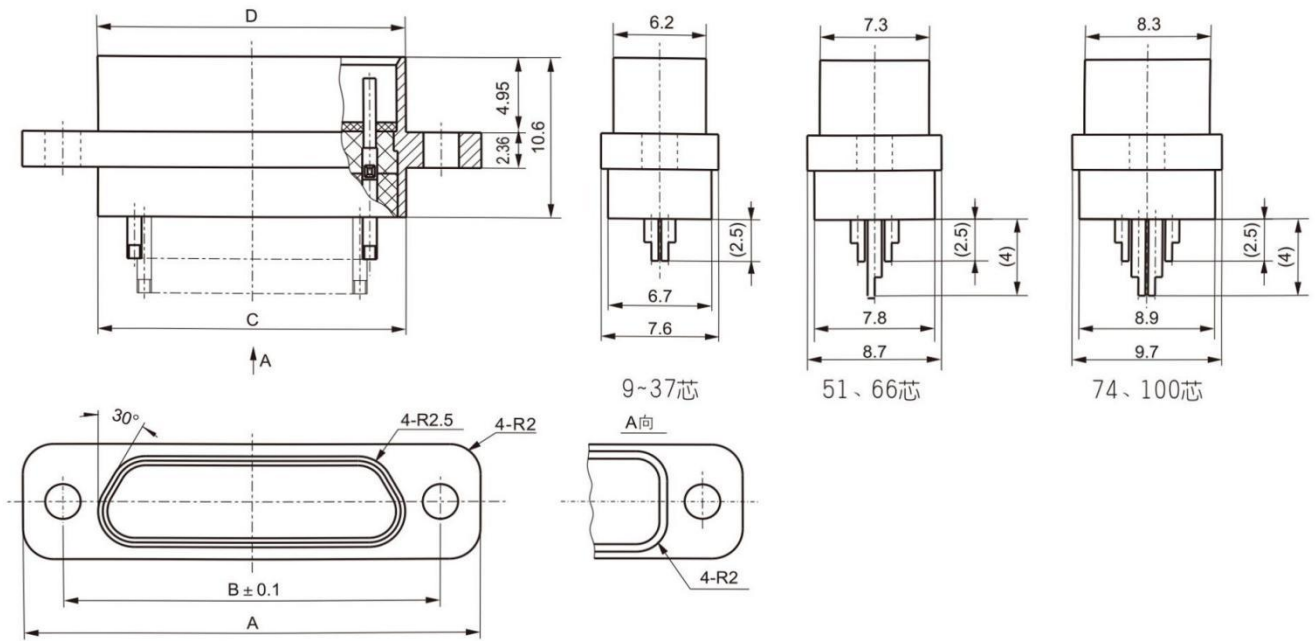
Product Dimensions



Product model	A	B	C
J30J-9TJS	19.55	14.35	9.9
J30J-15TJS	23.36	18.16	13.61
J30J-21TJS	27.17	21.97	17.6
J30J-25TJS	29.71	24.51	19.96
J30J-31TJS	33.52	28.32	23.77
J30J-37TJS	37.33	32.13	27.68
J30J-51TJS	36.06	30.86	26.31
J30J-66TJS	42.5	37.3	32.74
J30J-74TJS	38.8	33.5	28.9
J30J-100TJS	54.72	45.72	36.35

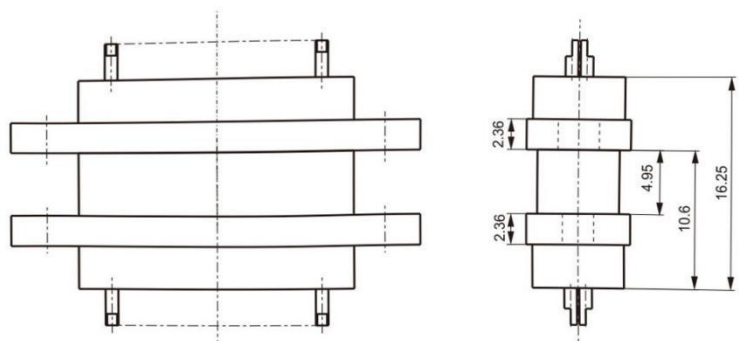
J30J-9、15、21、25、31、37、51、66、74、100ZKS

Product Dimensions



Product model	A	B	C	D
J30J-9ZKS	19.55	14.35	9.9	9.93
J30J-15ZKS	23.36	18.16	13.61	13.74
J30J-21ZKS	27.17	21.97	17.6	17.55
J30J-25ZKS	29.71	24.51	19.96	20.09
J30J-31ZKS	33.52	28.32	23.77	23.95
J30J-37ZKS	37.33	32.13	27.68	27.76
J30J-51ZKS	36.06	30.86	26.31	26.48
J30J-66ZKS	42.5	37.3	32.74	32.85
J30J-74ZKS	38.8	33.5	28.9	29.00
J30J-100ZKS	54.72	45.72	36.35	36.62

Dimensions of the product after docking



J30J Straight Soldered Printed Board Electrical Connector

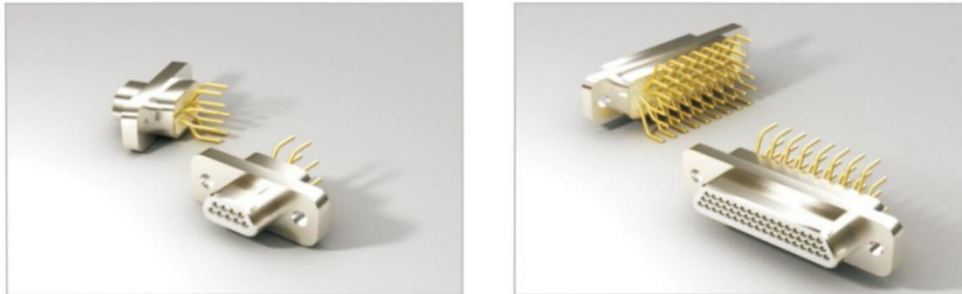
J30J Straight Soldered Printed Plate Type N-Type Electrical Connector

Grid size is 2.54×2.54(columns× rows)

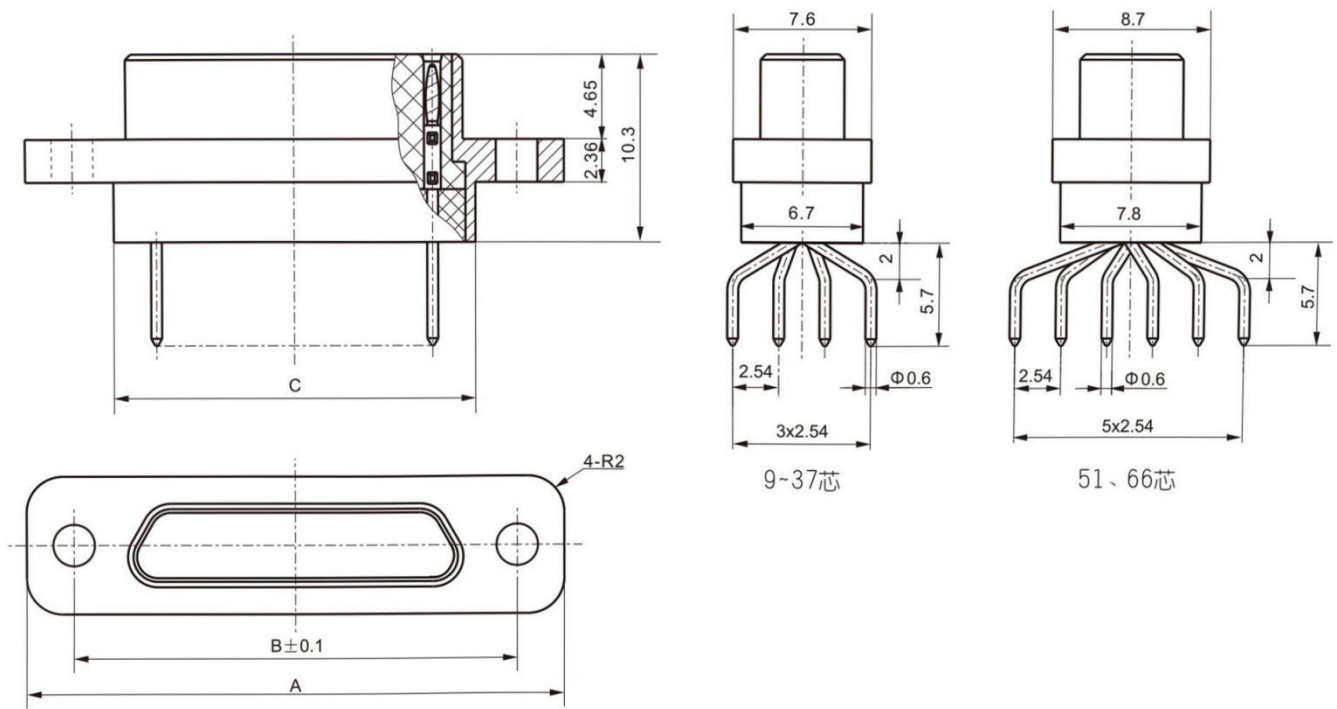
Detailed specification for product execution: Q/MB 20273-2003

J30J-9、15、21、25、31、37、51、66TJN

Product stereogram



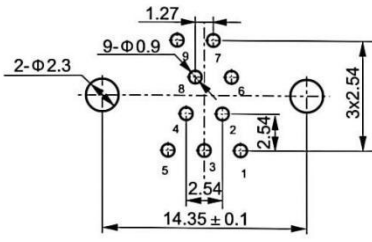
Product Dimensions



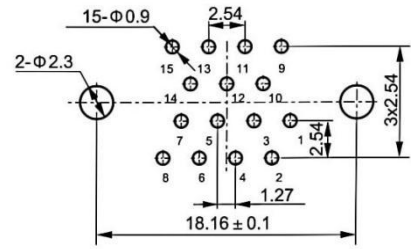
Product model	A	B	C
J30J-9TJN	19.55	14.35	9.9
J30J-15TJN	23.36	18.16	13.61
J30J-21TJN	27.17	21.97	17.6
J30J-25TJN	29.71	24.51	19.96
J30J-31TJN	33.52	28.32	23.77
J30J-37TJN	37.33	32.13	27.68
J30J-51TJN	36.06	30.86	26.31
J30J-66TJN	42.5	37.3	32.74

J30J straight soldered printed board type N-type pin electrical connector cut-out size

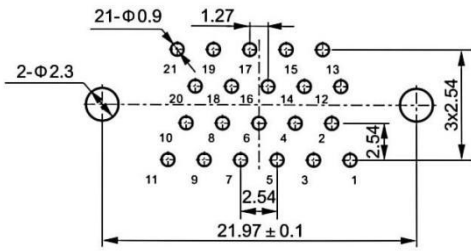
J30J-9TJN



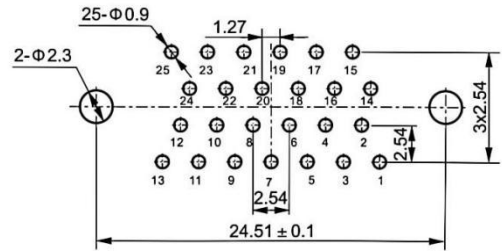
J30J-15TJN



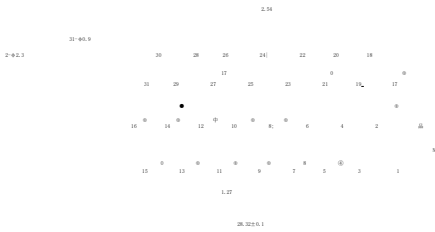
J30J-21TJN



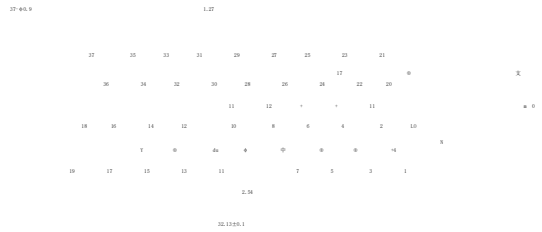
J30J-25TJN



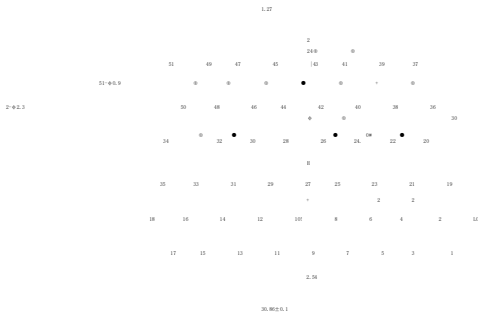
J30J-31TJN



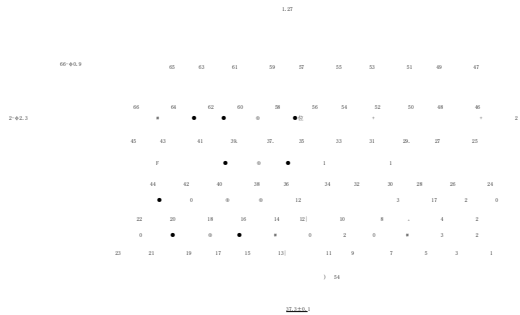
J30J-37TJN

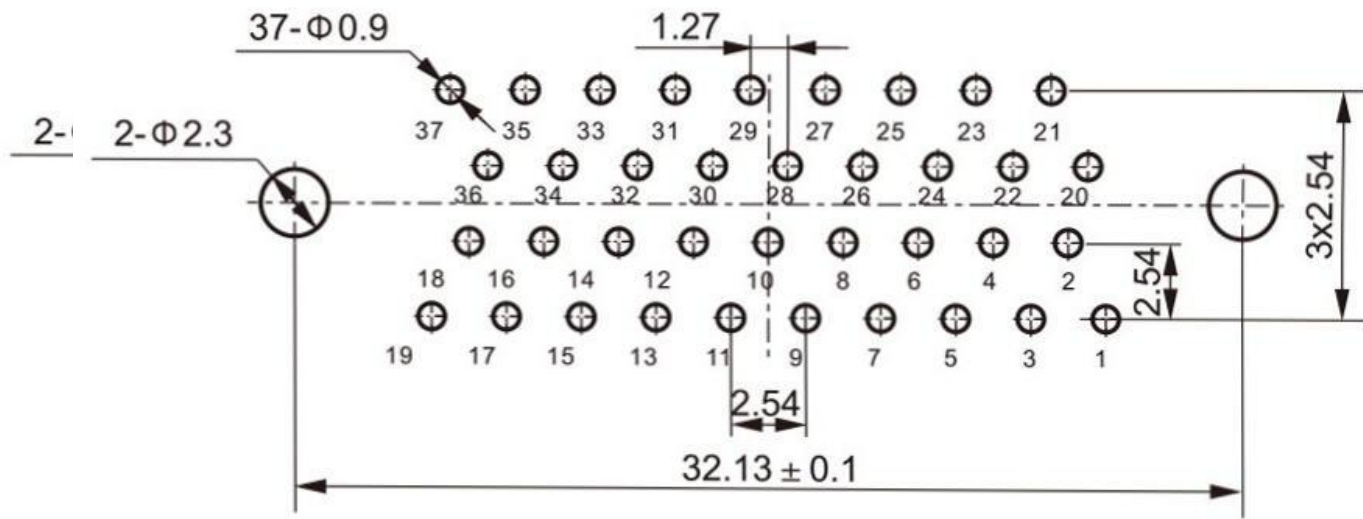


J30J-51TJN



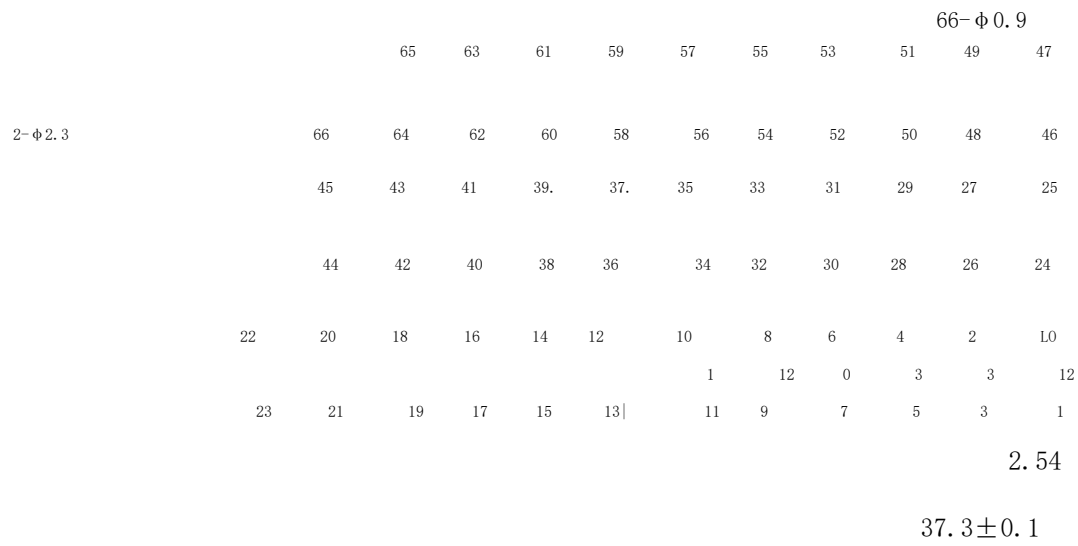
J30J-66TJN





J30J-66TJN

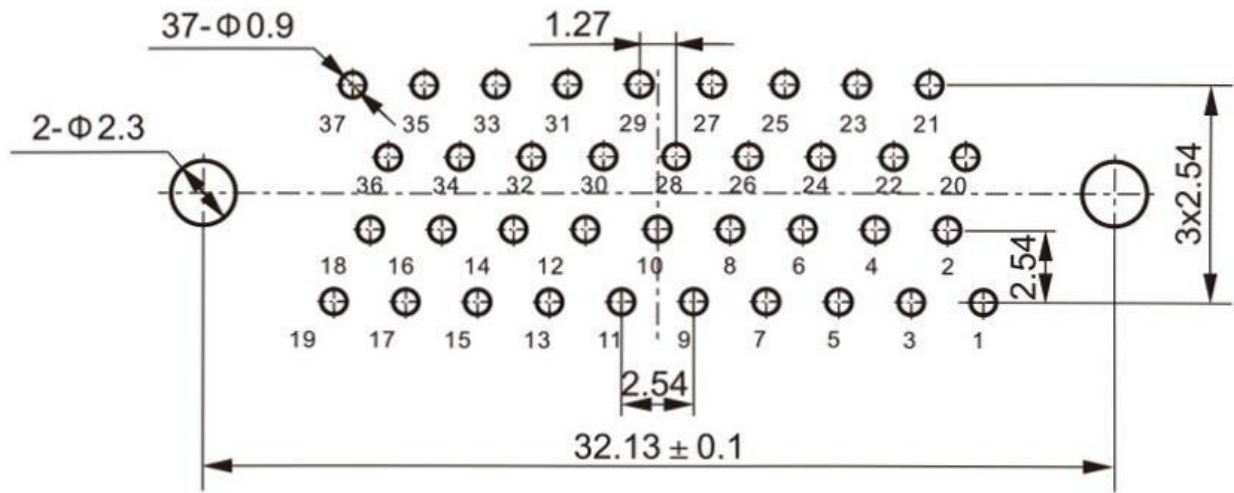
1.27

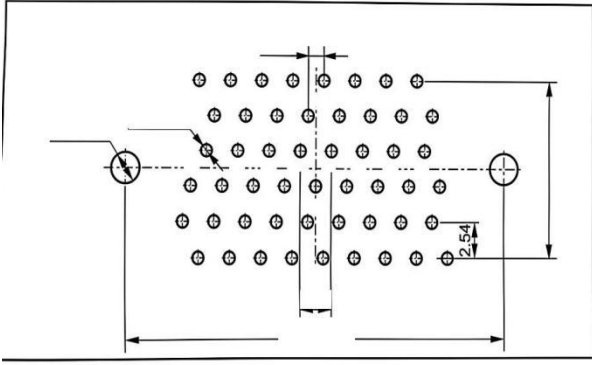


2.54

37.3 ± 0.1

J30J-37TJN





J30J-51TJN

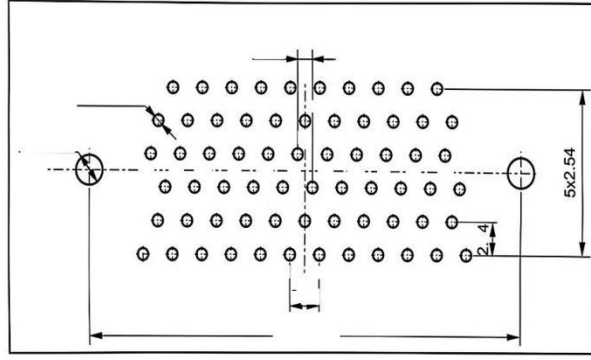
1:20

2-φ2.3

51-φ0.9



30.86±0.1



J30J-66TJN

1:20

66-φ0.9

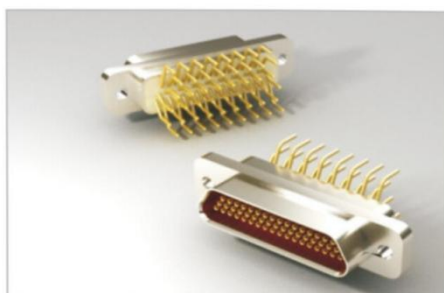
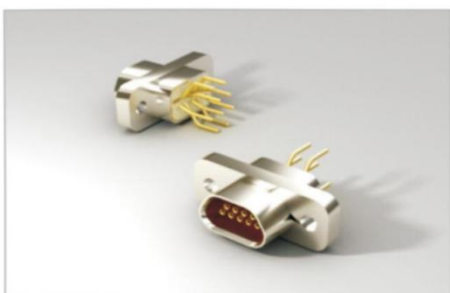
2-φ2.3

φ2.3 ±0.08

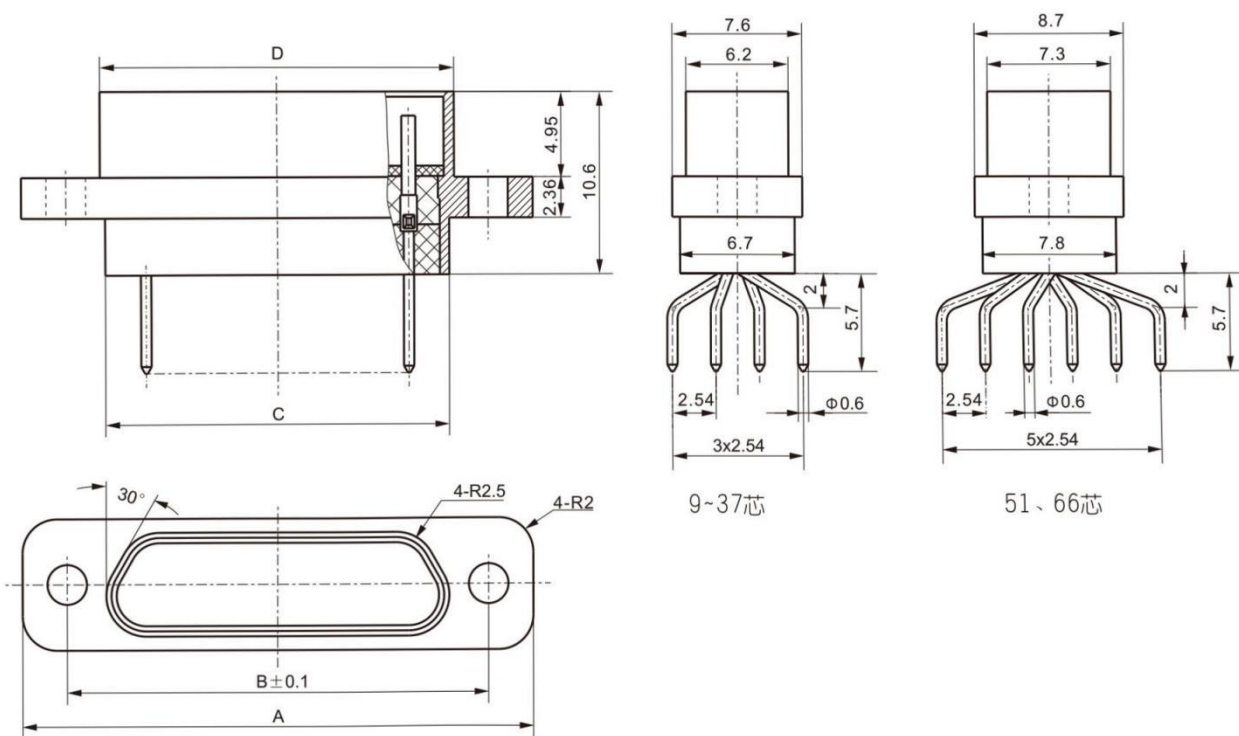


37.3±0.1

Product stereogram



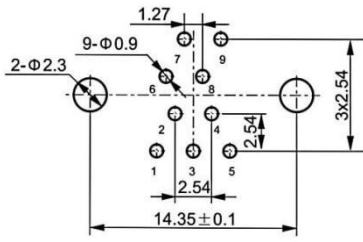
Product Dimensions



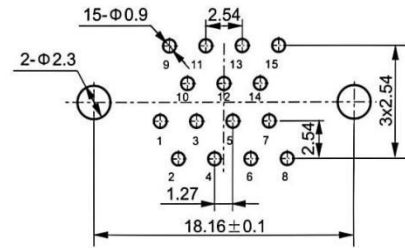
Product model	A	B	C	D
J30J-9ZKN	19.55	14.35	9.9	9.93
J30J-15ZKN	23.36	18.16	13.61	13.74
J30J-21ZKN	27.17	21.97	17.6	17.55
J30J-25ZKN	29.71	24.51	19.96	20.09
J30J-31ZKN	33.52	28.32	23.77	23.95
J30J-37ZKN	37.33	32.13	27.68	27.76
J30J-51ZKN	36.06	30.86	26.31	26.48
J30J-66ZKN	42.5	37.3	32.74	32.85

J30J straight soldered printed board type **N**-type jack electrical connector cut-out size

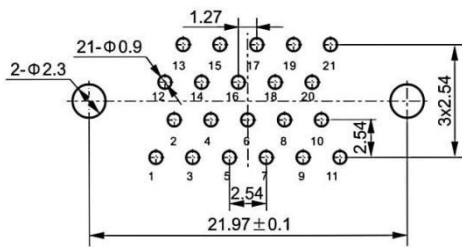
J30J-9ZKN



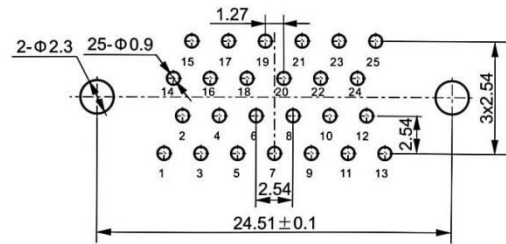
J30J-15ZKN



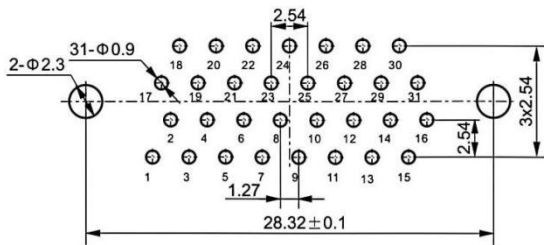
J30J-21ZKN



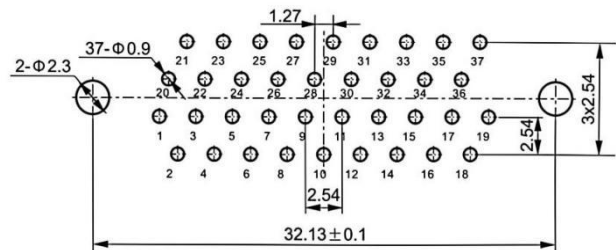
J30J-25ZKN

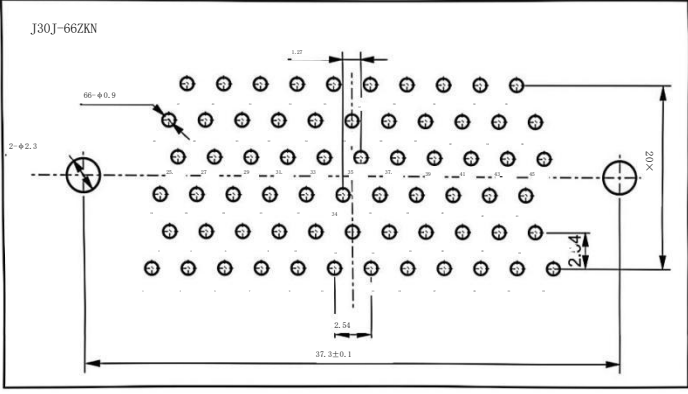
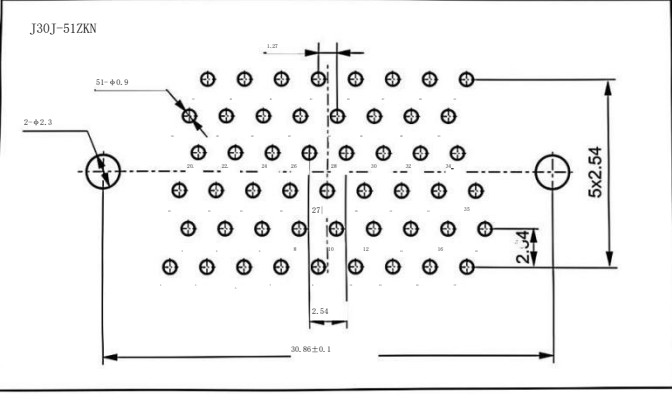


J30J-31ZKN



J30J-37ZKN





J30J bent solder printed board electrical connector

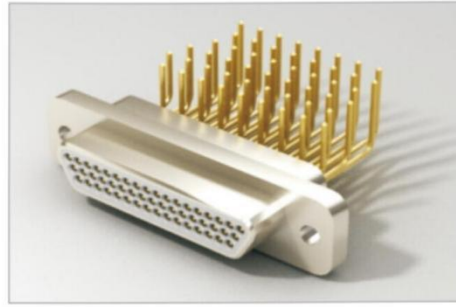
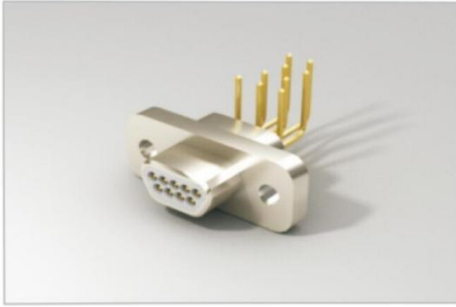
J30J bent soldered printed board type W-type electrical connector

The grid size is 2.54 × 2.54 (Column × row)

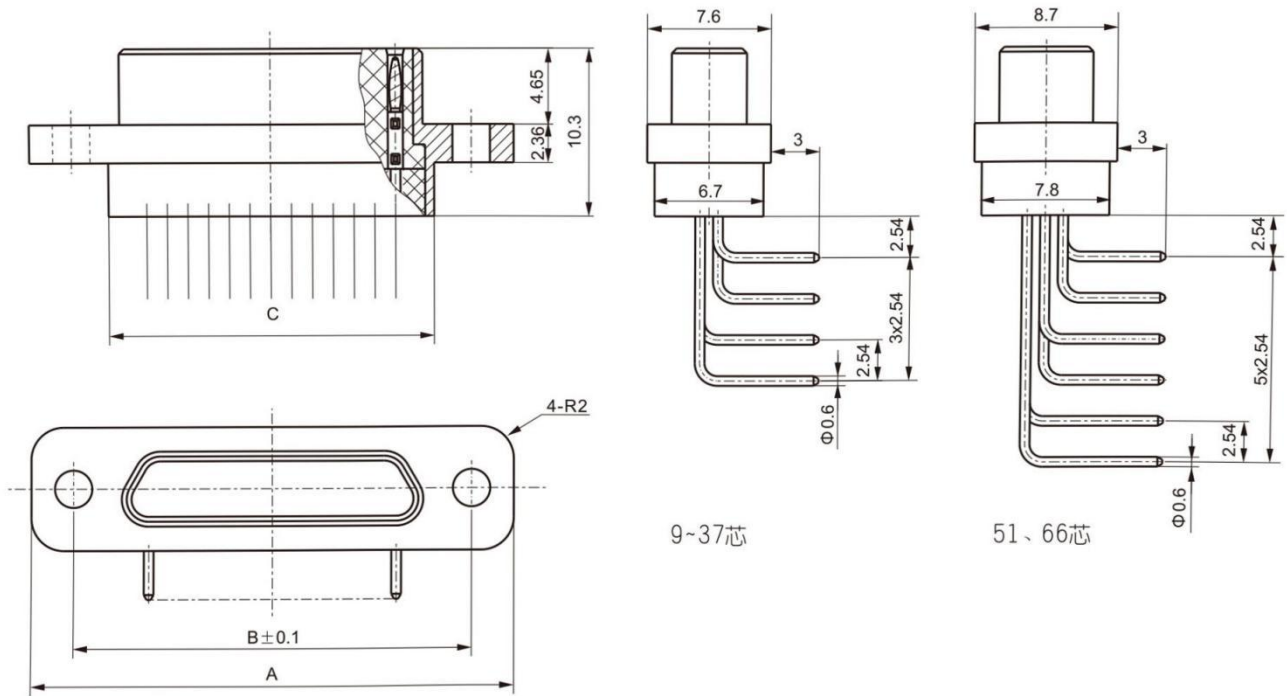
Detailed specification for product execution: Q/MB 20273-2003

J30J-9、15、21、25、31、37、51、66TJW

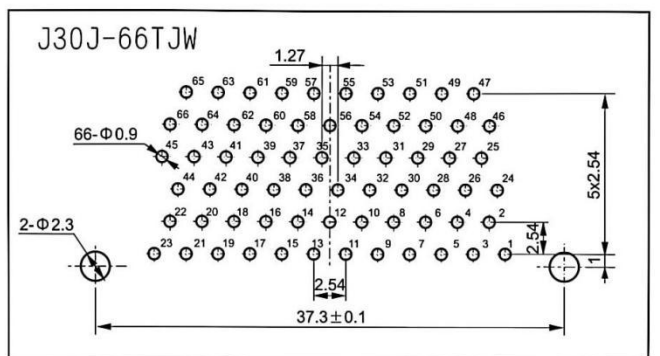
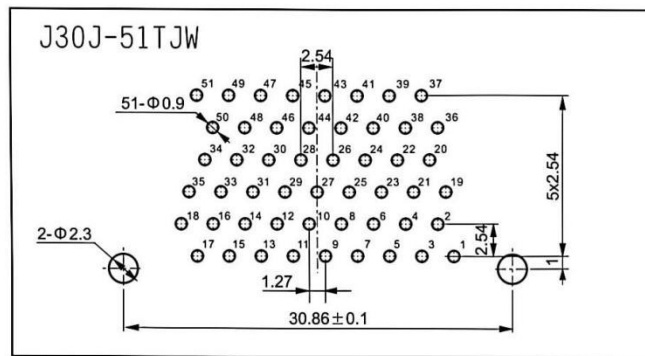
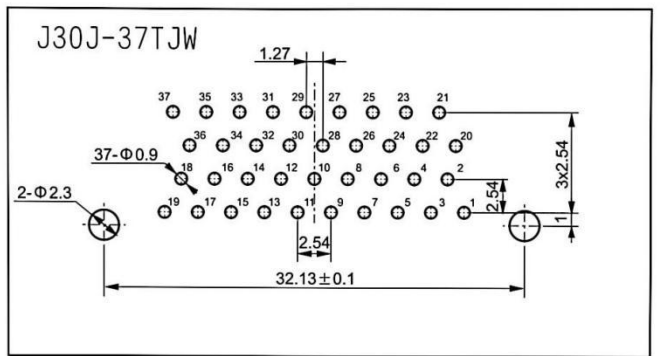
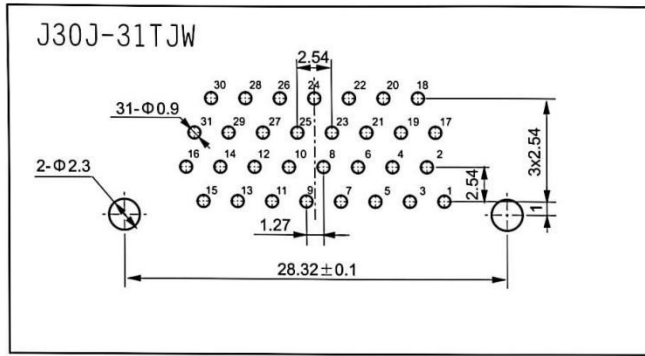
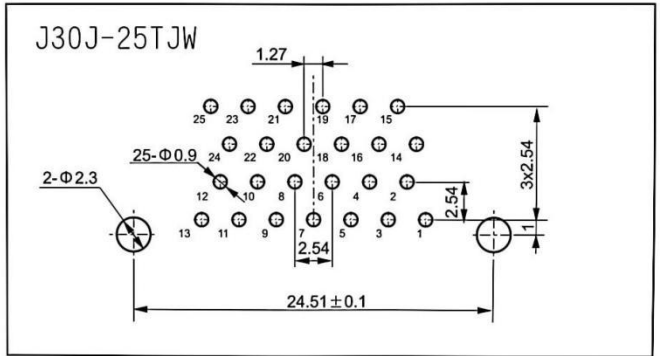
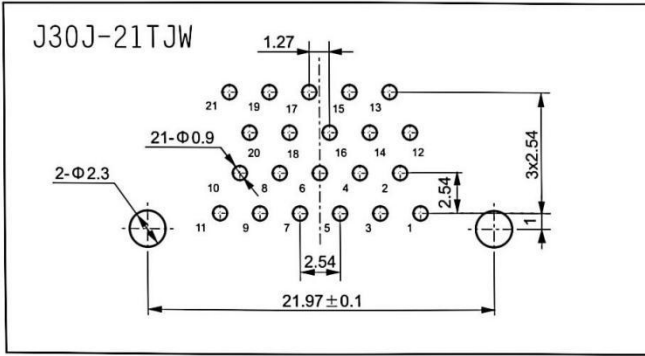
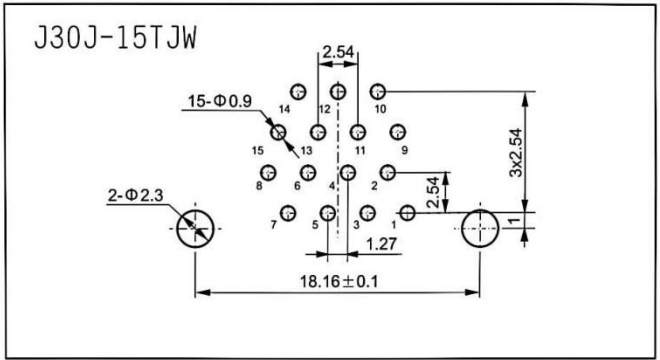
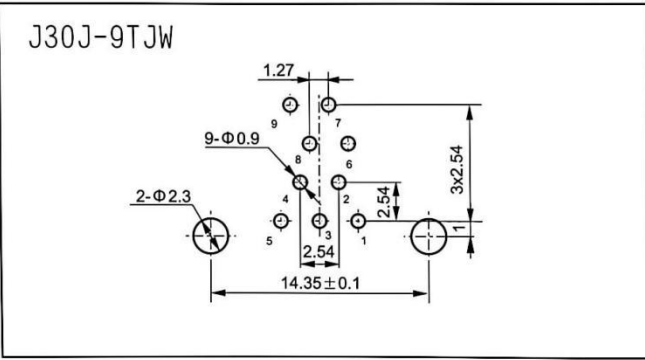
Three-dimensional view of the product



产品外形尺寸图



Product model	A	B	C
J30J-9TJW	19.55	14.35	9.9
J30J-15TJW	23.36	18.16	13.61
J30J-21TJW	27.17	21.97	17.6
J30J-25TJW	29.71	24.51	19.96
J30J-31TJW	33.52	28.32	23.77
J30J-37TJW	37.33	32.13	27.68
J30J-51TJW	36.06	30.86	26.31
J30J-66TJW	42.5	37.3	32.74

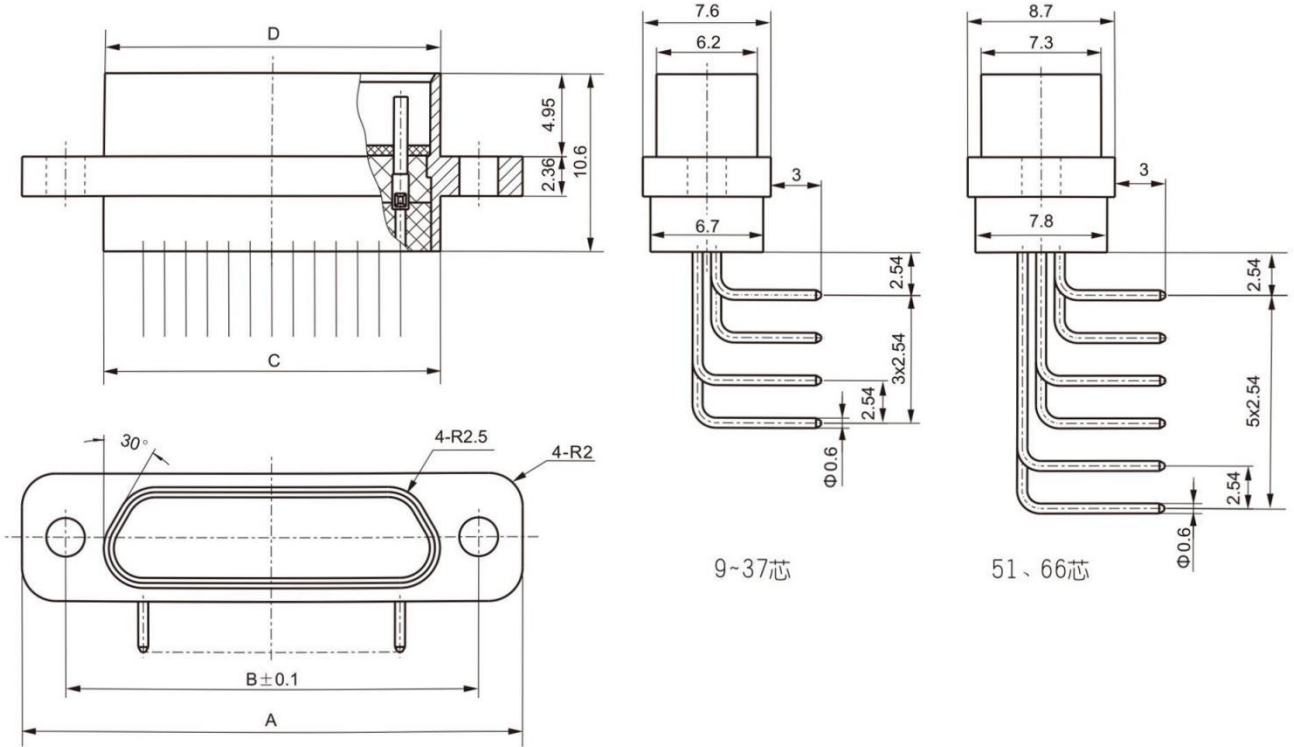


J30J-9、15、21、25、31、37、51、66ZKW

Product stereogram

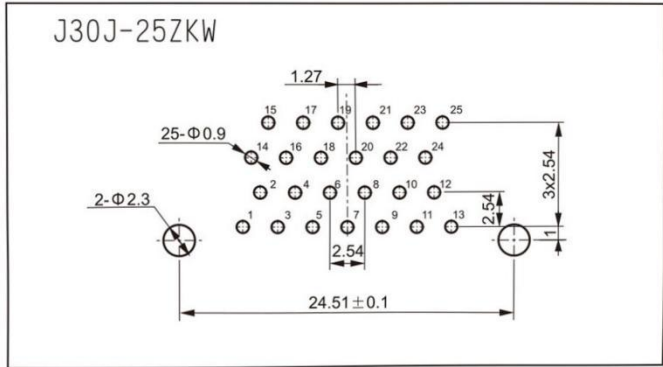
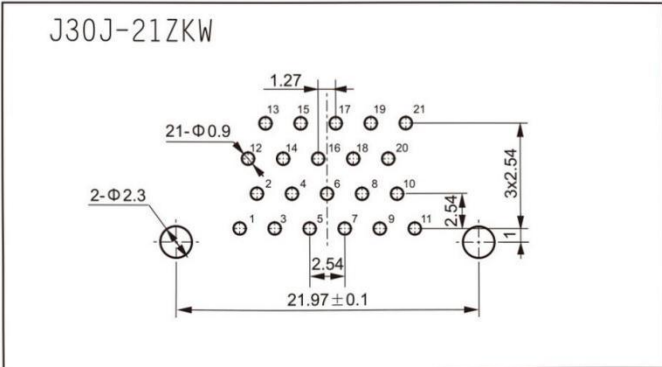
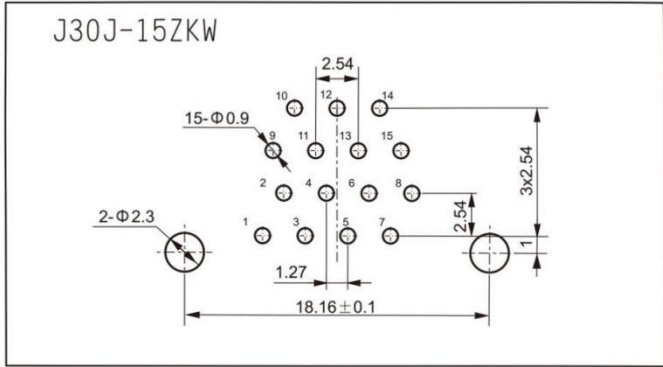
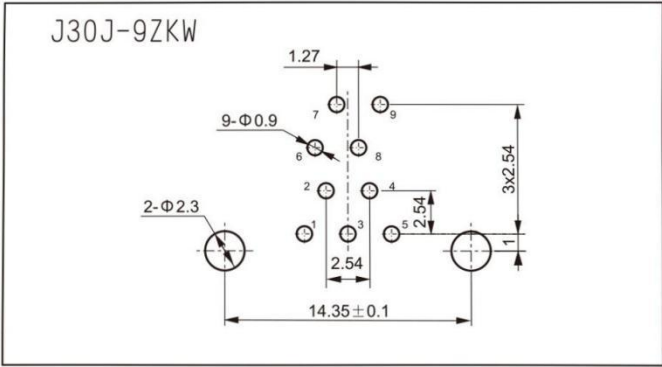


Product Dimensions



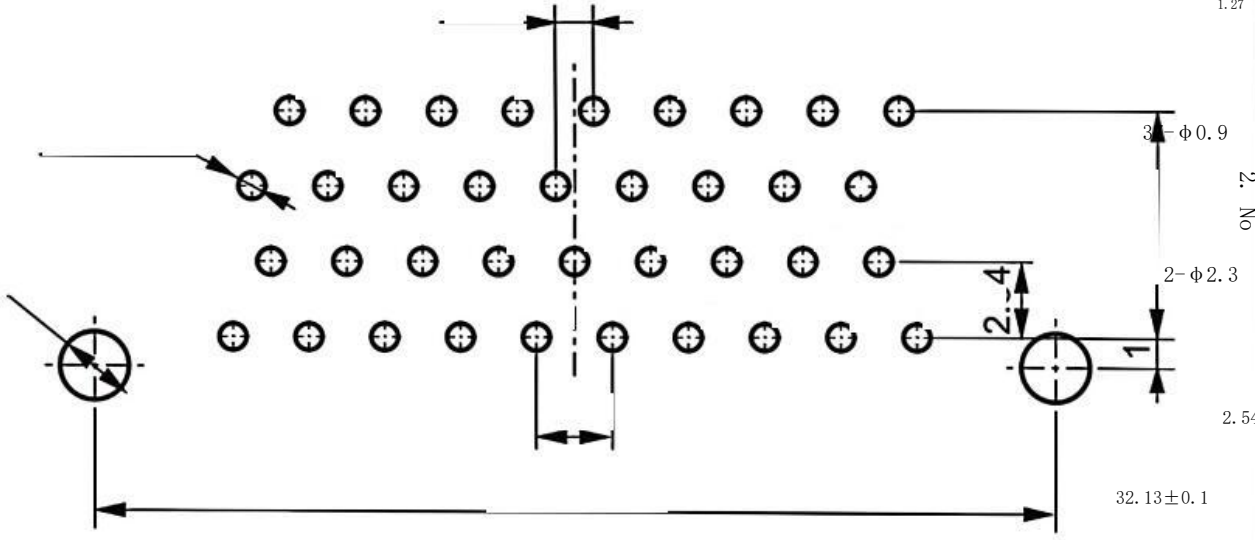
Product model	A	B	C	D
J30J-9ZKW	19.55	14.35	9.9	9.93
J30J-15ZKW	23.36	18.16	13.61	13.74
J30J-21ZKW	27.17	21.97	17.6	17.55
J30J-25ZKW	29.71	24.51	19.96	20.09
J30J-31ZKW	33.52	28.32	23.77	23.95
J30J-37ZKW	37.33	32.13	27.68	27.76
J30J-51ZKW	36.06	30.86	26.31	26.48
J30J-66ZKW	42.5	37.3	32.74	32.85

J30J Angled Soldered Printed Plate Type W-Jack Electrical Connector Cutout Size



J30J-37ZKW

1.27



2. ON

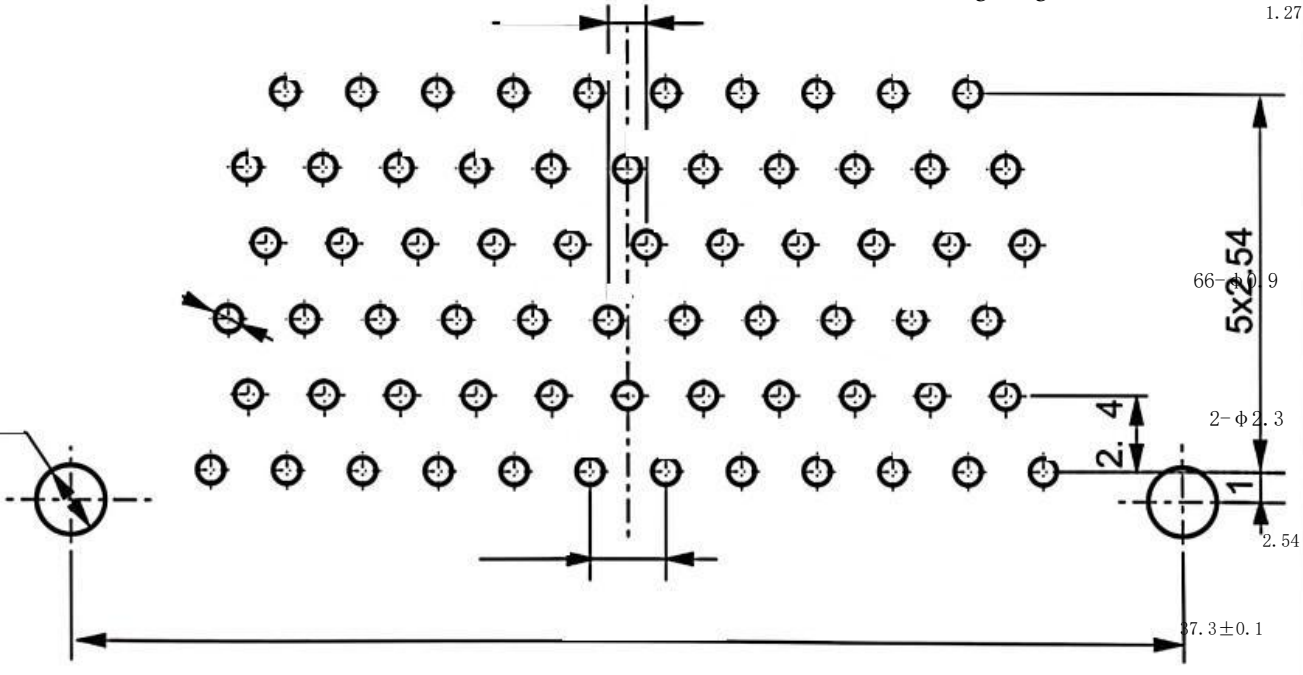
L6

2.54

32.13 ± 0.1

J30J-66ZKW

1.27



66

5×2.54

2-φ2.3

2.54

37.3 ± 0.1

J30J fixed end screw anti-rotation electrical connector

There are grooves in the housing flange to prevent the mounting screws from turning

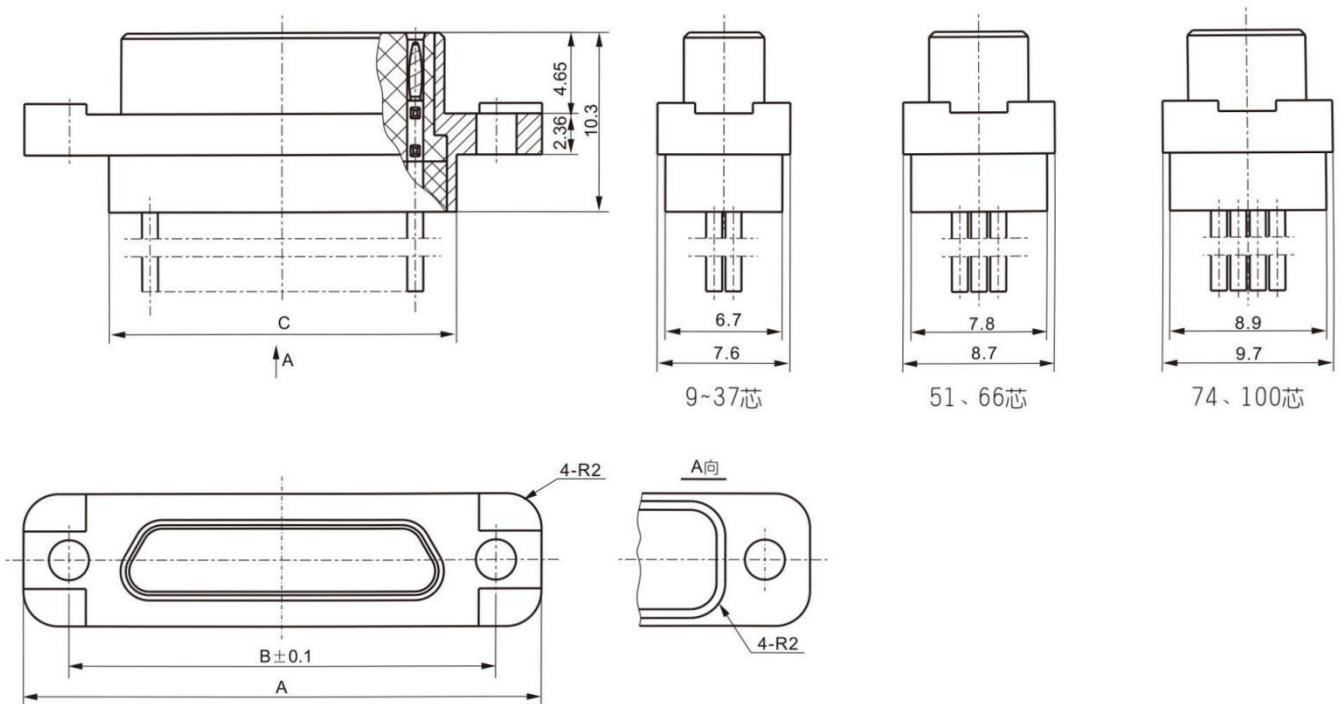
Detailed specification for product execution: Q/MB 20250-2003

J30J-9、15、21、25、31、37、51、66、74、100TJ-D

Product stereogram



Product Dimensions



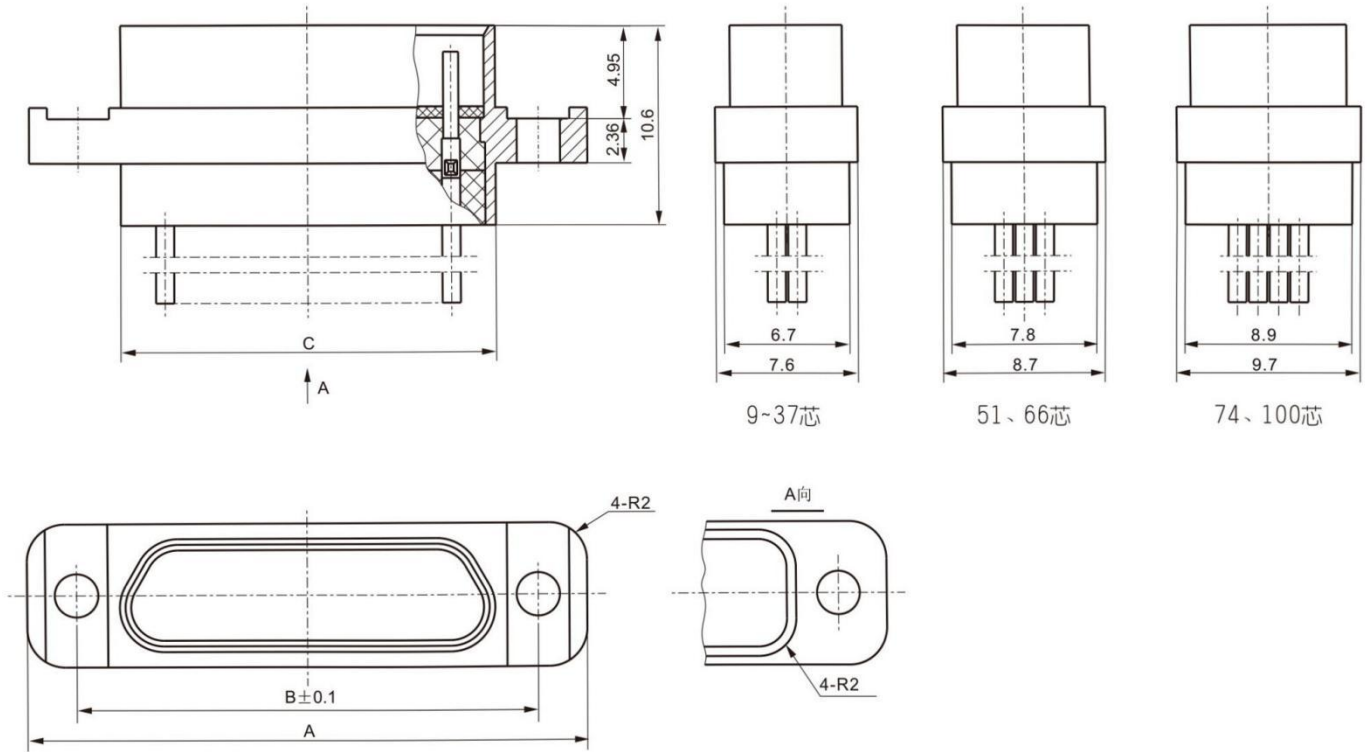
Product model	A	B	C
J30J-9TJ-D	19.55	14.35	9.9
J30J-15TJ-D	23.36	18.16	13.61
J30J-21TJ-D	27.17	21.97	17.6
J30J-25TJ-D	29.71	24.51	19.96
J30J-31TJ-D	33.52	28.32	23.77
J30J-37TJ-D	37.33	32.13	27.68
J30J-51TJ-D	36.06	30.86	26.31
J30J-66TJ-D	42.5	37.3	32.74
J30J-74TJ-D	38.8	33.5	28.9
J30J-100TJ-D	54.72	45.72	36.35

J30J-9、15、21、25、31、37、51、66、74、100ZK-D

Product stereogram



产品外形尺寸图



Product model	A	B	C
J30J-9ZK-D	19.55	14.35	9.9
J30J-15ZK-D	23.36	18.16	13.61
J30J-21ZK-D	27.17	21.97	17.6
J30J-25ZK-D	29.71	24.51	19.96
J30J-31ZK-D	33.52	28.32	23.77
J30J-37ZK-D	37.33	32.13	27.68
J30J-51ZK-D	36.06	30.86	26.31
J30J-66ZK-D	42.5	37.3	32.74
J30J-74ZK-D	38.8	33.5	28.9
J30J-100ZK-D	54.72	45.72	36.35

J30J angled outlet electrical connector

J30J Angled Outlet - Type C Electrical Connector

Straight out from the short side of the trapezoid

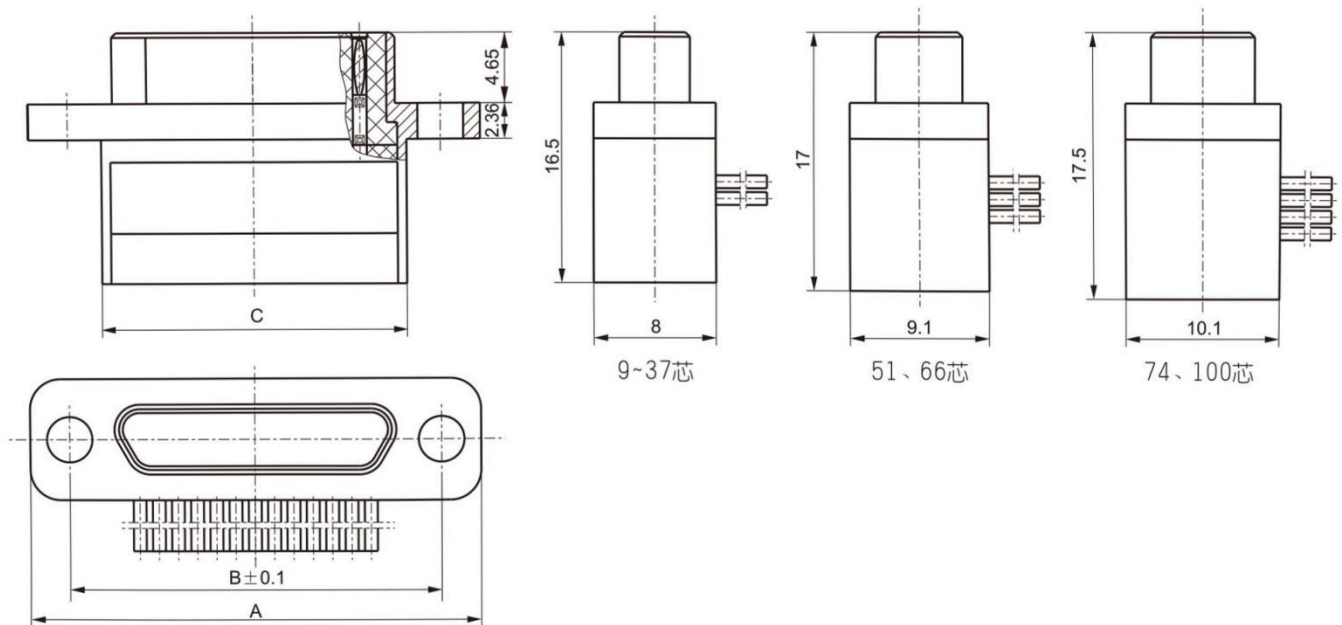
Detailed specification for product execution: Q/MB 20250-2003

J30J-9、15、21、25、31、37、51、66、74、100TJ-C

Product stereogram

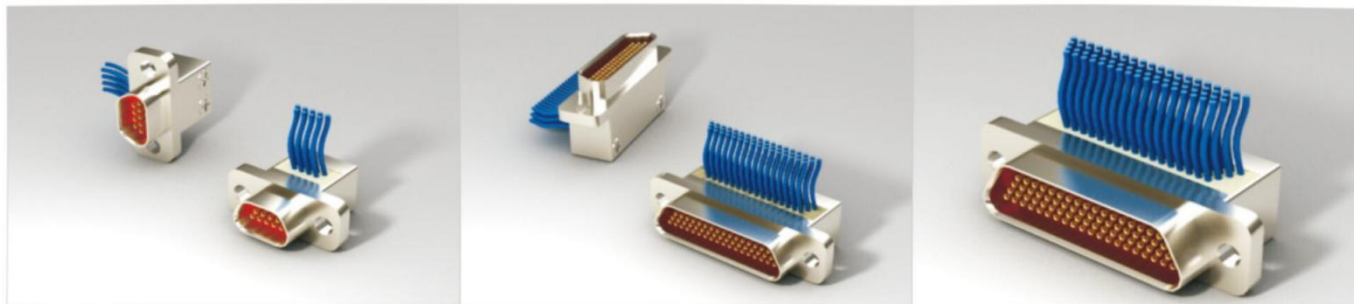


产品外形尺寸图

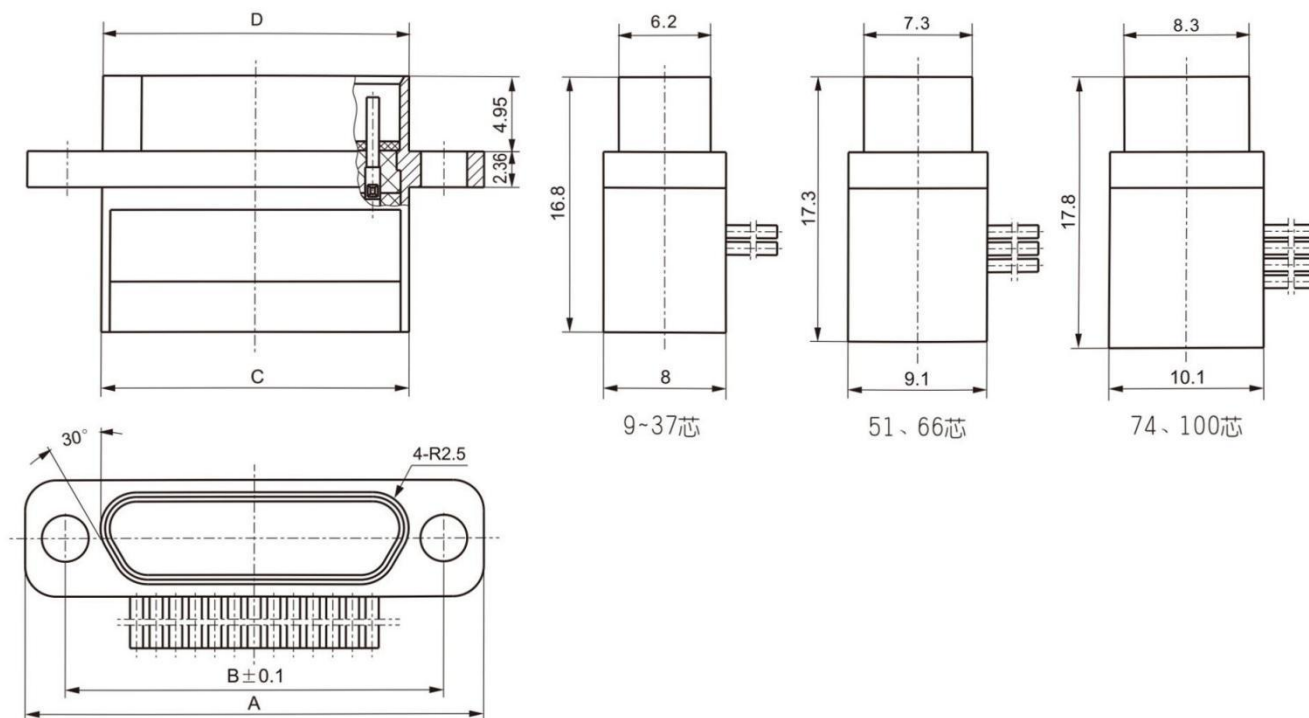


Product model	A	B	C
J30J-9TJ-C	19.55	14.35	9.9
J30J-15TJ-C	23.36	18.16	13.61
J30J-21TJ-C	27.17	21.97	17.6
J30J-25TJ-C	29.71	24.51	19.96
J30J-31TJ-C	33.52	28.32	23.77
J30J-37TJ-C	37.33	32.13	27.68
J30J-51TJ-C	36.06	30.86	26.31
J30J-66TJ-C	42.5	37.3	32.74
J30J-74TJ-C	38.8	33.5	28.9
J30J-100TJ-C	54.72	45.72	36.35

Product stereogram



产品外形尺寸图



Product model	A	B	C	D
J30J-9ZK-C	19.55	14.35	9.9	9.93
J30J-15ZK-C	23.36	18.16	13.61	13.74
J30J-21ZK-C	27.17	21.97	17.6	17.55
J30J-25ZK-C	29.71	24.51	19.96	20.09
J30J-31ZK-C	33.52	28.32	23.77	23.95
J30J-37ZK-C	37.33	32.13	27.68	27.76
J30J-51ZK-C	36.06	30.86	26.31	26.48
J30J-66ZK-C	42.5	37.3	32.74	32.85
J30J-74ZK-C	38.8	33.5	28.9	29.00
J30J-100ZK-C	54.72	45.72	36.35	36.62

J30J flange widened electrical connector

The flange is 3.9 mm wider and 2.4 mm taller

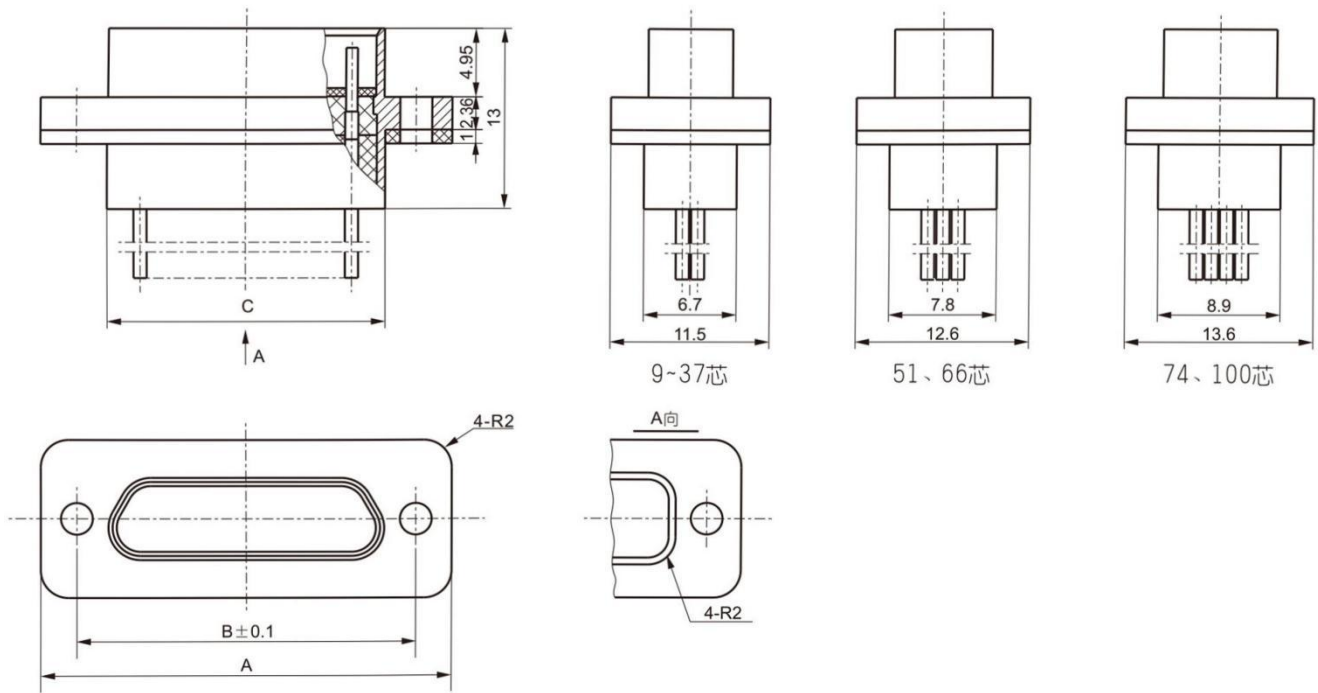
Detailed specification for product execution: Q/MB 20250-2003

J30JM-9、15、21、25、31、37、51、66、74、100ZK

Product stereogram



Product Dimensions



Product model	A	B	C
J30JM-9ZK	19.55	14.35	10
J30JM-15ZK	23.36	18.16	13.71
J30JM-21ZK	27.17	21.97	17.6
J30JM-25ZK	29.71	24.51	19.96
J30JM-31ZK	33.52	28.32	23.77
J30JM-37ZK	37.33	32.13	27.78
J30JM-51ZK	36.06	30.86	26.4
J30JM-66ZK	42.5	37.3	32.84
J30JM-74ZK	38.8	33.5	29
J30JM-100ZK	54.72	45.72	36.45

J30J flange widened and extended electrical connector

The flange has been widened by 6.4mm and lengthened by about 6.4mm

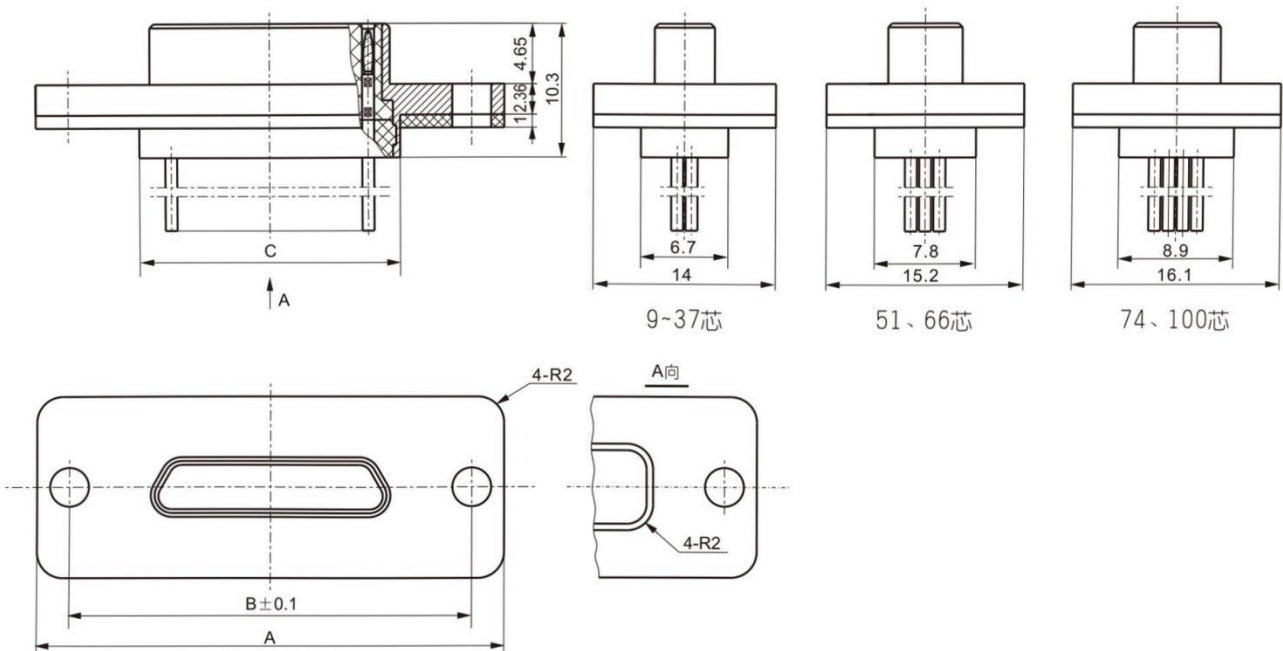
Detailed specification for product execution: Q/MB 20250-2003

J30J-9、15、21、25、31、37、51、66、74、100TJ-Q

Product stereogram



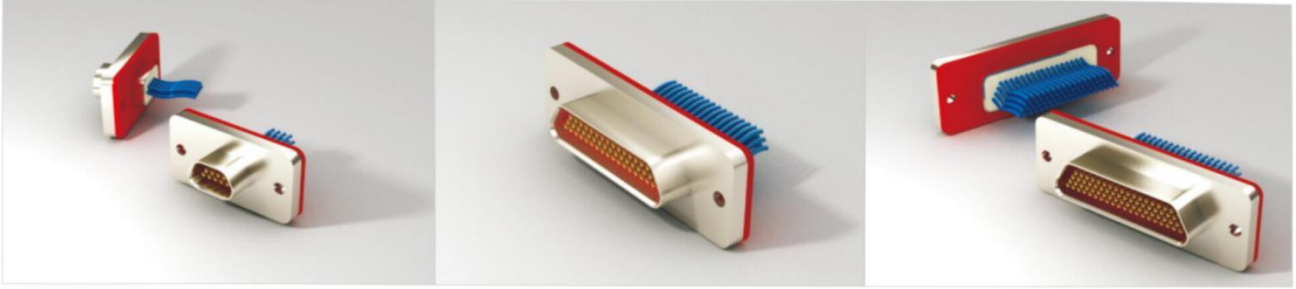
Product Dimensions



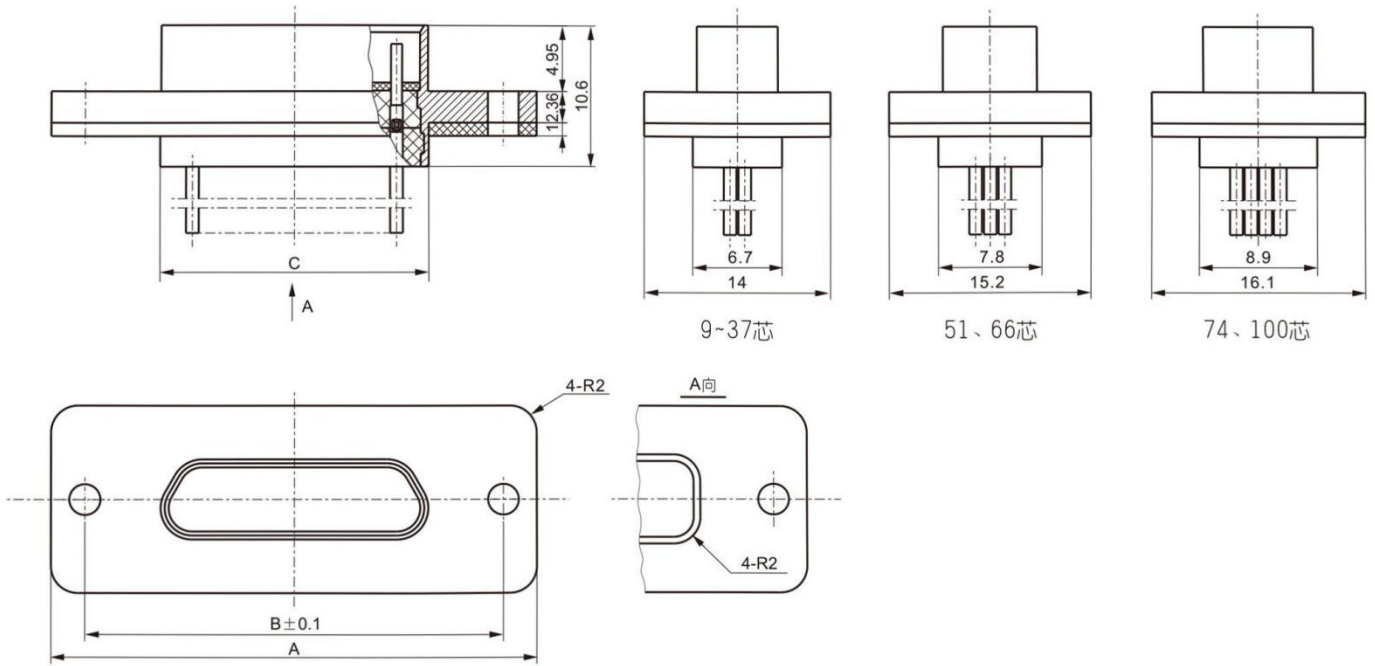
Product model	A	B	C
J30J-9TJ-Q	26	21	10
J30J-15TJ-Q	29.9	24.9	13.71
J30J-21TJ-Q	33.8	28.7	17.6
J30J-25TJ-Q	36.2	31.2	19.96
J30J-31TJ-Q	40	35	23.77
J30J-37TJ-Q	43.8	38.9	27.78
J30J-51TJ-Q	42.6	37.6	26.4
J30J-66TJ-Q	49.3	44	32.84
J30J-74TJ-Q	45.2	40.2	29
J30J-100TJ-Q	61.1	52.4	36.45

J30J-9、15、21、25、31、37、51、66、74、100ZK-Q

Product stereogram



产品外形尺寸图



Product model	A	B	C
J30J-9ZK-Q	26	21	10
J30J-15ZK-Q	29.9	24.9	13.71
J30J-21ZK-Q	33.8	28.7	17.6
J30J-25ZK-Q	36.2	31.2	19.96
J30J-31ZK-Q	40	35	23.77
J30J-37ZK-Q	43.8	38.9	27.78
J30J-51ZK-Q	42.6	37.6	26.4
J30J-66ZK-Q	49.3	44	32.84
J30J-74ZK-Q	45.2	40.2	29
J30J-100ZK-Q	61.1	52.4	36.45

J30J Quick Locking Electrical Connectors

The mounting hole spacing of this series has been increased by 1.5mm

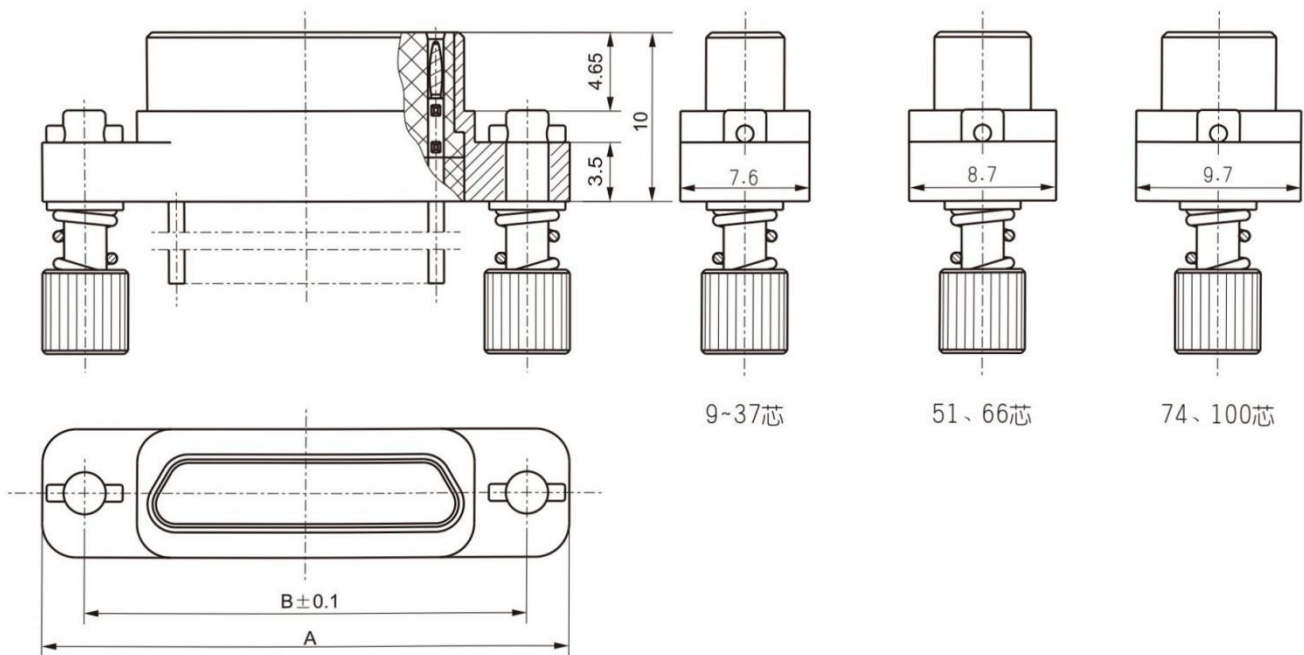
Detailed specification for product execution: Q/MB 20250-2003

J30J-9、15、21、25、31、37、51、66、74、100TJQ4

Product stereogram

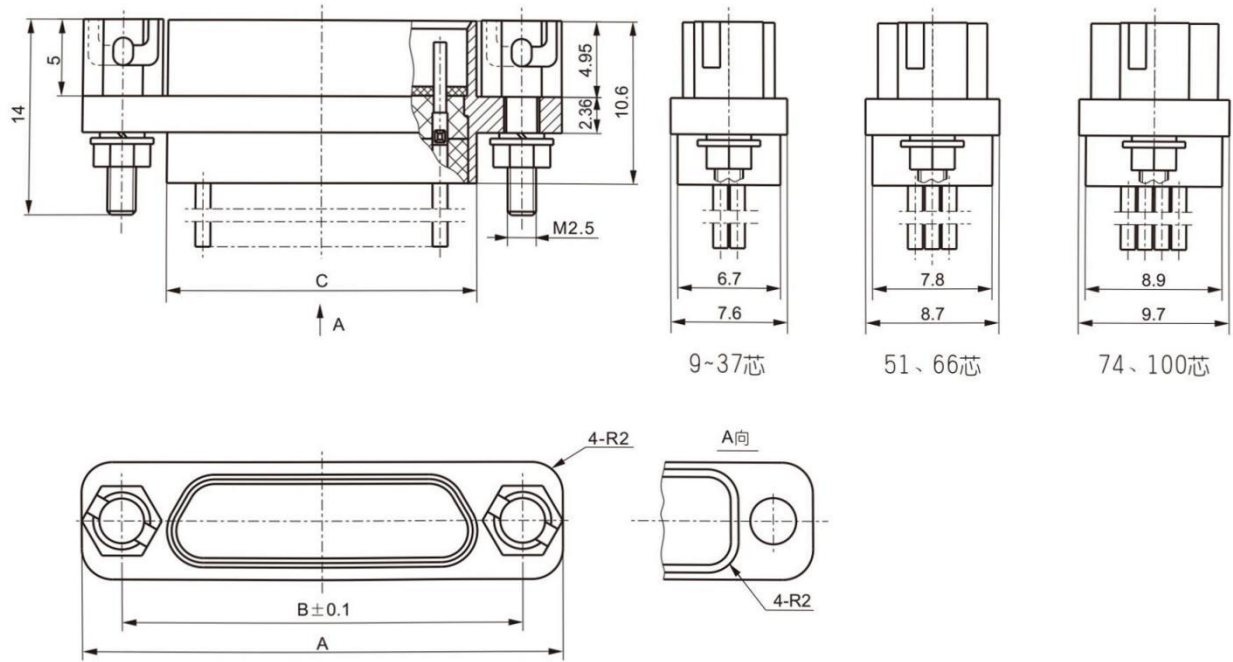


Product Dimensions



Product model	A	B
J30J-9TJQ4	20.85	15.85
J30J-15TJQ4	24.66	19.66
J30J-21TJQ4	28.47	23.47
J30J-25TJQ4	31	26
J30J-31TJQ4	34.82	29.82
J30J-37TJQ4	38.63	33.63
J30J-51TJQ4	37.36	32.36
J30J-66TJQ4	43.8	38.8
J30J-74TJQ4	40.1	35
J30J-100TJQ4	54.72	45.72

Product Dimensions



Product model	A	B	C
J30J-9ZKR4	20.85	15.85	9.9
J30J-15ZKR4	24.66	19.66	13.61
J30J-21ZKR4	28.47	23.47	17.6
J30J-25ZKR4	31	26	19.96
J30J-31ZKR4	34.82	29.82	23.77
J30J-37ZKR4	38.63	33.63	27.68
J30J-51ZKR4	37.36	32.36	26.31
J30J-66ZKR4	43.8	38.8	32.74
J30J-74ZKR4	40.1	35	28.9
J30J-100ZKR4	54.72	45.72	36.35